

4

3

2

1

REV.	DESCRIPTION	DATE	APPROVED
A	PRELIMINARY RELEASE	10/25/2023	A. TROUT

RANCH RIFLE SAFETY SELECTOR REVERSAL INSTRUCTIONS:

STEP 1: Remove the #10-32 safety selector set screw from the top side of the lower receiver using a 3/32" hex key.

STEP 2: Tip the lower receiver over and tap against your hand to carefully remove the safety selector detent spring and detent.

STEP 3: Make sure the hammer is cocked rearward and press VERY firmly from the safe side to the fire side to remove the safety selector. (Push from the side without the red ring)

STEP 4: Flip the safety selector to the desired orientation and reinsert starting with the safe side into the receiver. (Side without the red ring goes in first)

STEP 5: Reinsert safety selector detent first, and then safety selector detent spring.

STEP 6: Reinstall the #10-32 safety selector set screw from the top side of the lower receiver using a 3/32" hex key. Use Blue Loctite 243 or similar on the set screw. Ensure the set screw is sub-flush from the top of the lower receiver.

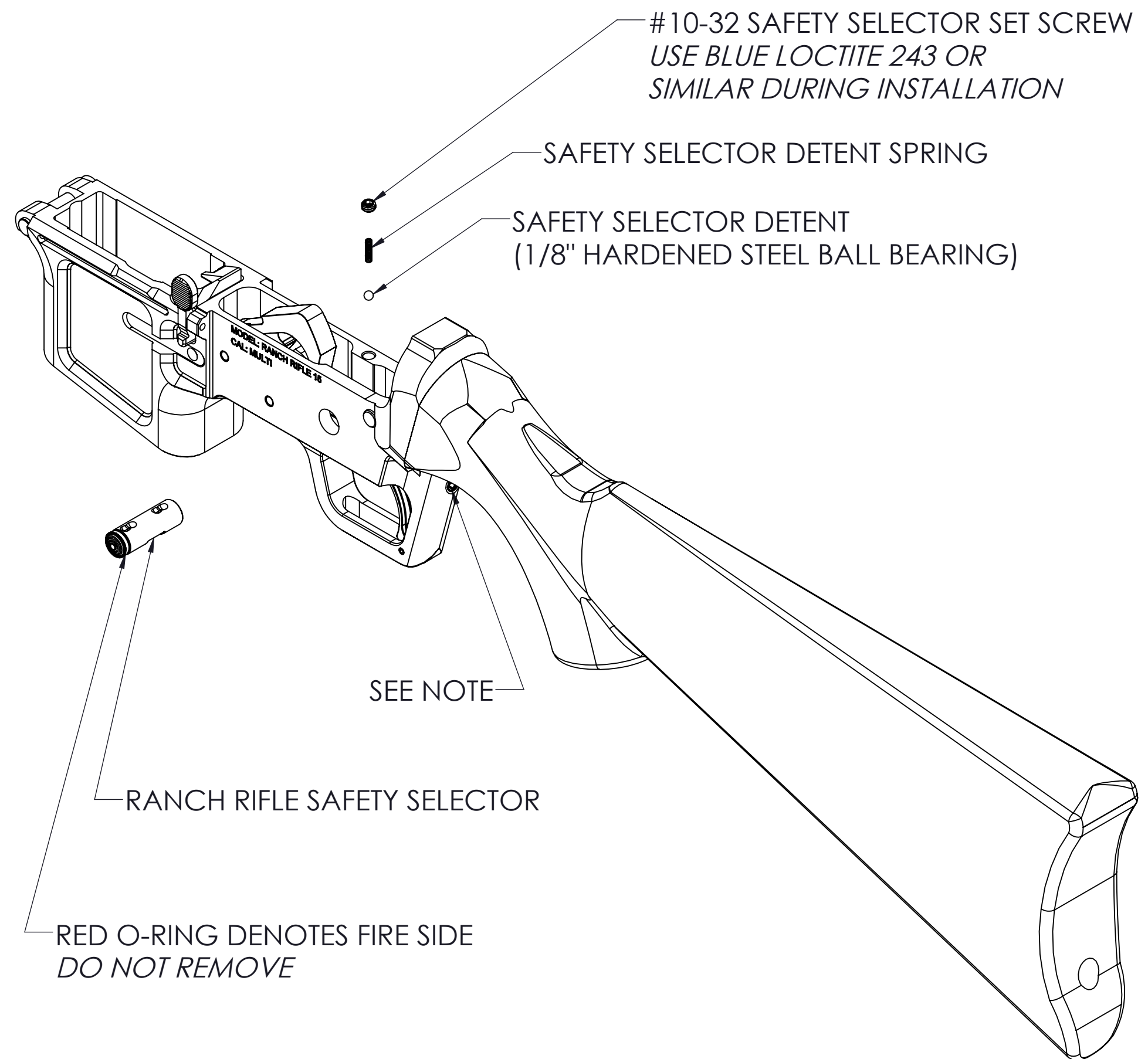
STEP 7: Tighten the #10-32 safety selector set screw while actuating the safety selector. Continue to adjust and test until desired detent tension is reached.

If the safety selector detent is lost it can be replaced with a 1/8" hardened steel ball bearing.

If the safety selector detent spring is lost it can be replaced with a cut-down mil-spec M4 safety selector detent spring.

NOTE: This set screw is for the trigger reset spring. If removed use Blue Loctite 243 or similar when reinstalling.

If you have any questions, or recommendations, please reach out to our customer service team at info@fm-products.com



4

3

2

1

UNLESS OTHERWISE SPECIFIED
DIMENSIONS ARE IN INCHES
TOLERANCES:
ANGULAR: ±1°
TWO PLACE DECIMAL ±.01
THREE PLACE DECIMAL ±.005

PROPRIETARY & CONFIDENTIAL
THE INFORMATION CONTAINED IN
THIS DRAWING IS THE SOLE
PROPERTY OF FOXTROT MIKE
PRODUCTS. ANY REPRODUCTION IN
PART OR AS A WHOLE WITHOUT THE
WRITTEN PERMISSION OF FOXTROT
MIKE PRODUCTS IS PROHIBITED.



FOXTROT MIKE PRODUCTS
9700 WEST BETHEL COURT
BOISE, ID 83709

TITLE: RANCH RIFLE SAFETY SELECTOR REVERSAL INSTRUCTIONS		REV: A
SIZE: C	DWG. NO.: 2310018	
DO NOT SCALE DRAWING	SCALE: 1:4	WEIGHT: SHEET 1 OF 1