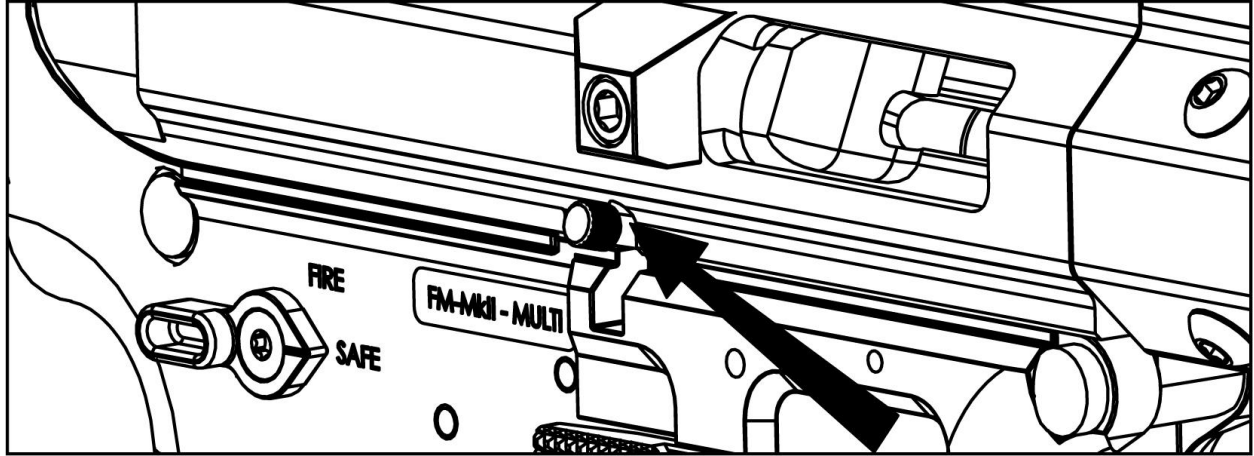


MIKE-9 HYBRID MkII AMBIDEXTROUS CONTROLS

HOW-TO VIDEO AVAILABLE AT WWW.FM-PRODUCTS.COM

AMBIDEXTROUS BOLT CATCH ROD

Use of the ambidextrous bolt catch rod requires a clearance cut on the upper receiver.

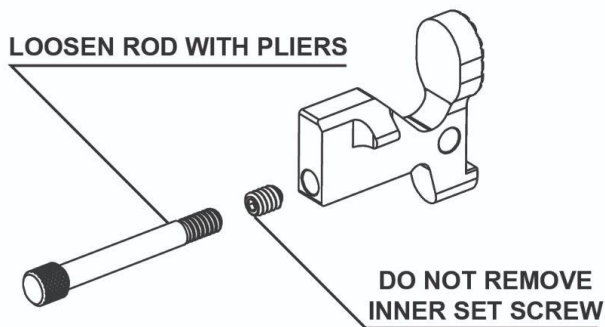


Refer to print "2206006 - HYBRID LOWER AMBI BOLT CATCH MODIFICATION" for the correct size and location of the needed clearance cut.

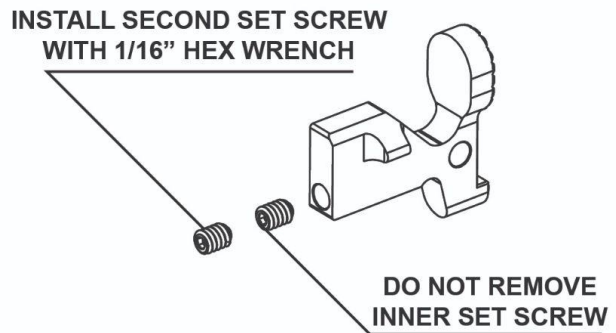
Visit www.FM-Products.com for a video on how to modify the upper yourself.

The ambidextrous bolt catch rod can be removed for use on upper receivers without a clearance cut.

AMBI. BOLT CATCH REMOVAL



STD. BOLT CATCH INSTALL



Please contact us at info@FM-Products.com with any questions.
FM Products answers customer service emails 7 days a week.

REV B 9/23