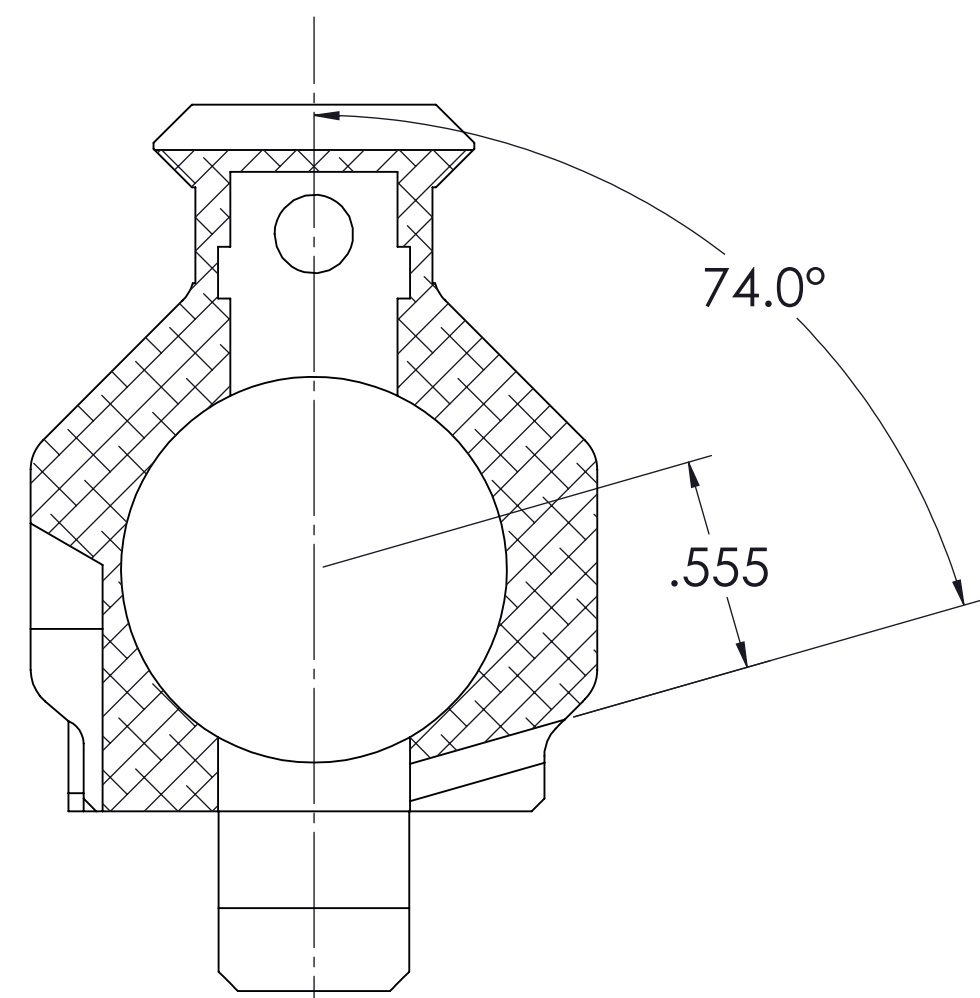
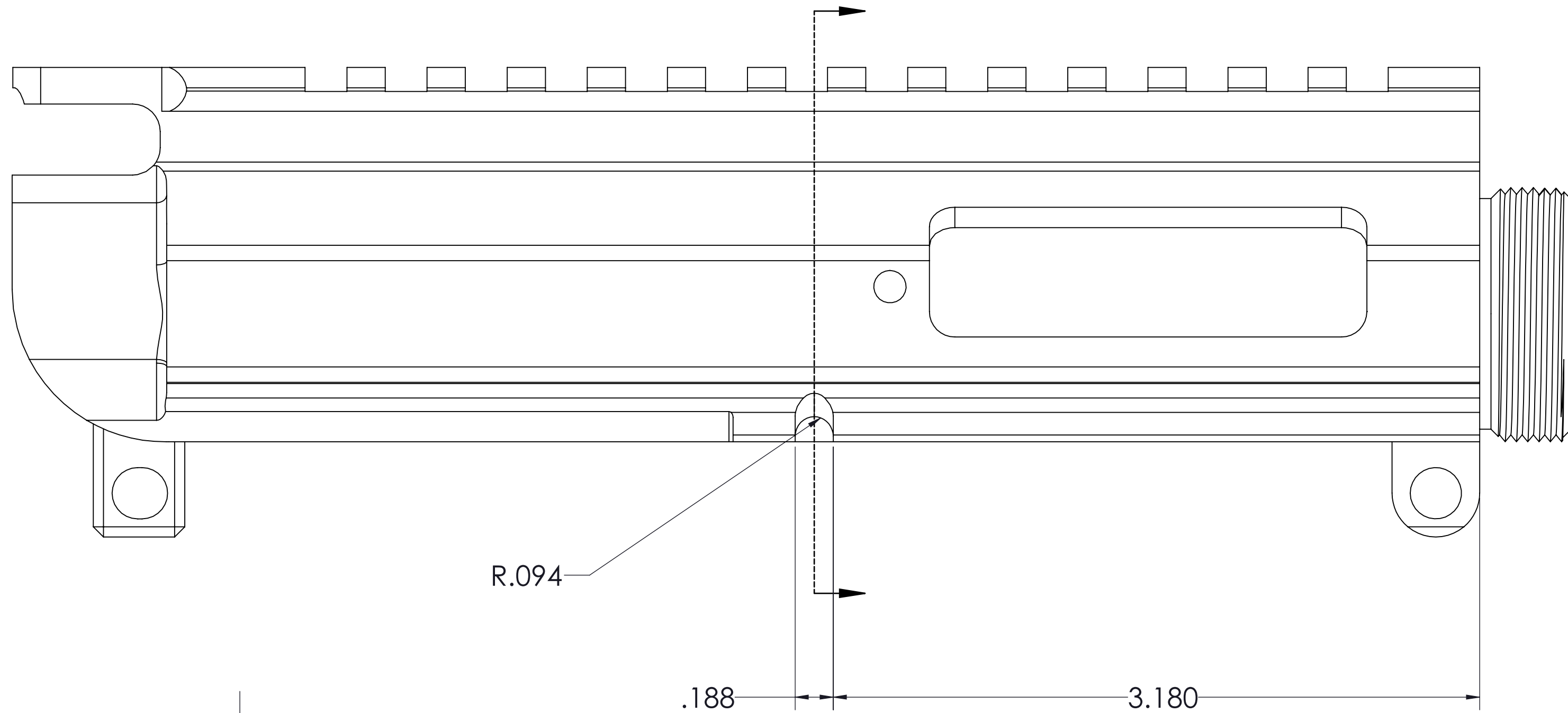
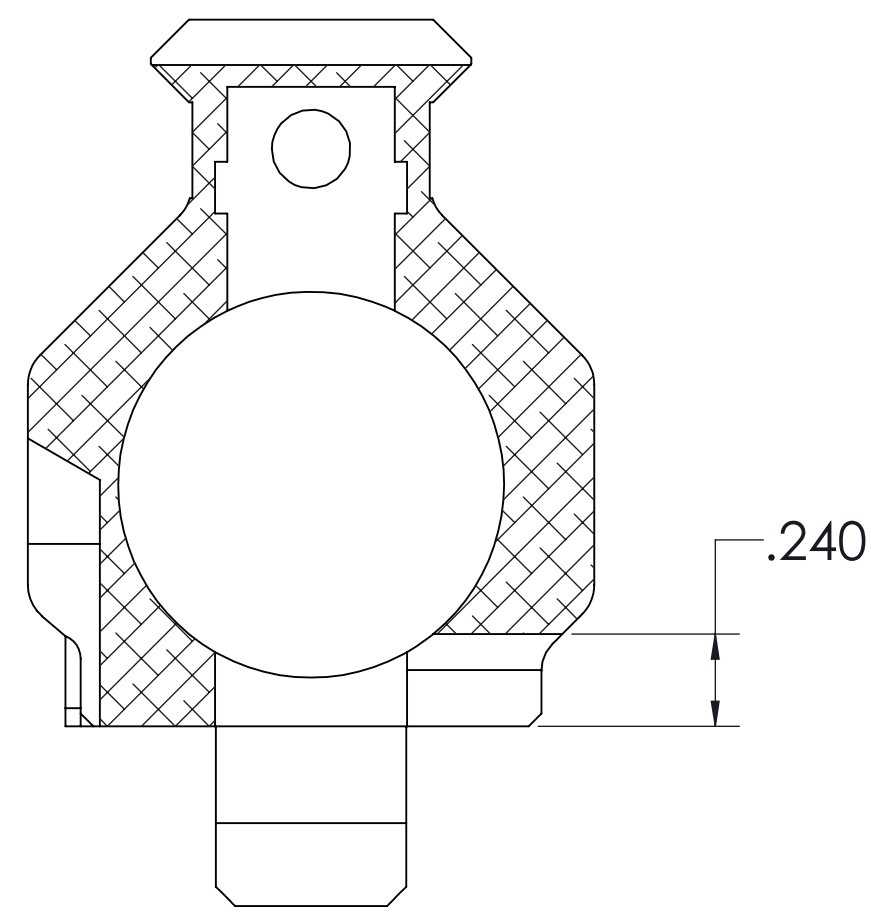


# FM PRODUCTS BILLET UPPER

REV.	DESCRIPTION	DATE	APPROVED
A	PRELIMINARY RELEASE	06/07/2022	A. TROUT



ANGLED CUT  
(MILLING MACHINE)



STRAIGHT CUT  
(BY HAND)

UNLESS OTHERWISE SPECIFIED  
DIMENSIONS ARE IN INCHES  
TOLERANCES:  
ANGULAR:  $\pm 1^\circ$   
TWO PLACE DECIMAL  $\pm .01$   
THREE PLACE DECIMAL  $\pm .005$   
PROPRIETARY & CONFIDENTIAL  
THE INFORMATION CONTAINED IN  
THIS DRAWING IS THE SOLE  
PROPERTY OF FOXTROT MIKE  
PRODUCTS. ANY REPRODUCTION IN  
PART OR AS A WHOLE WITHOUT THE  
WRITTEN PERMISSION OF FOXTROT  
MIKE PRODUCTS IS PROHIBITED.



FOXTROT MIKE PRODUCTS  
9700 WEST BETHEL COURT  
BOISE, ID 83709

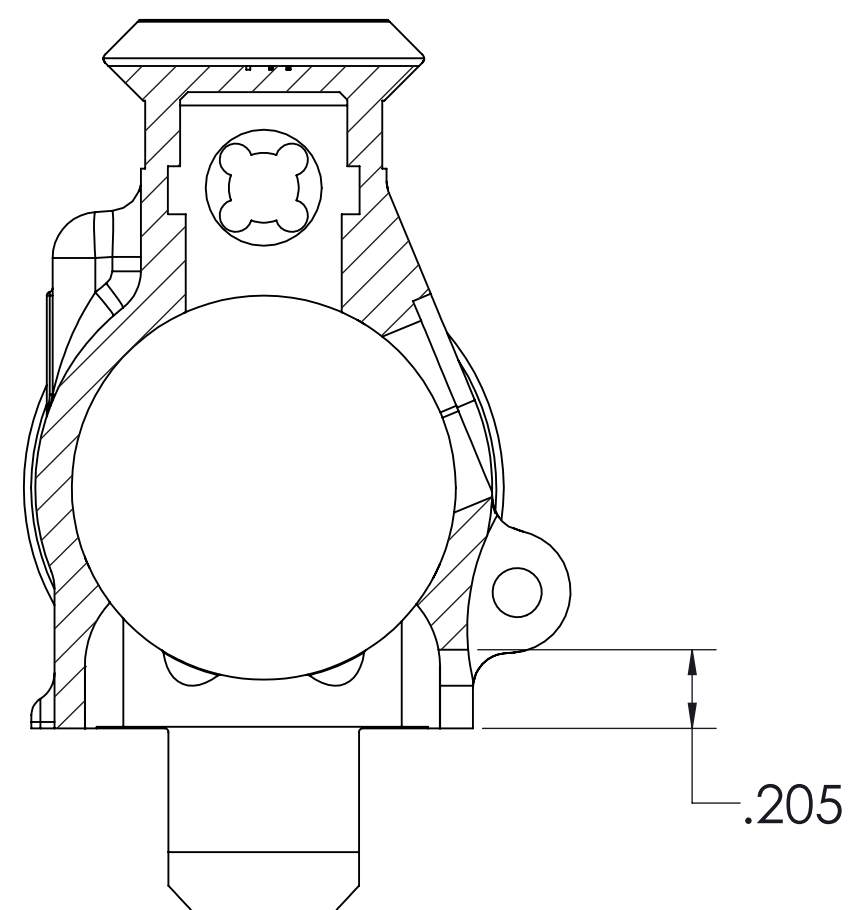
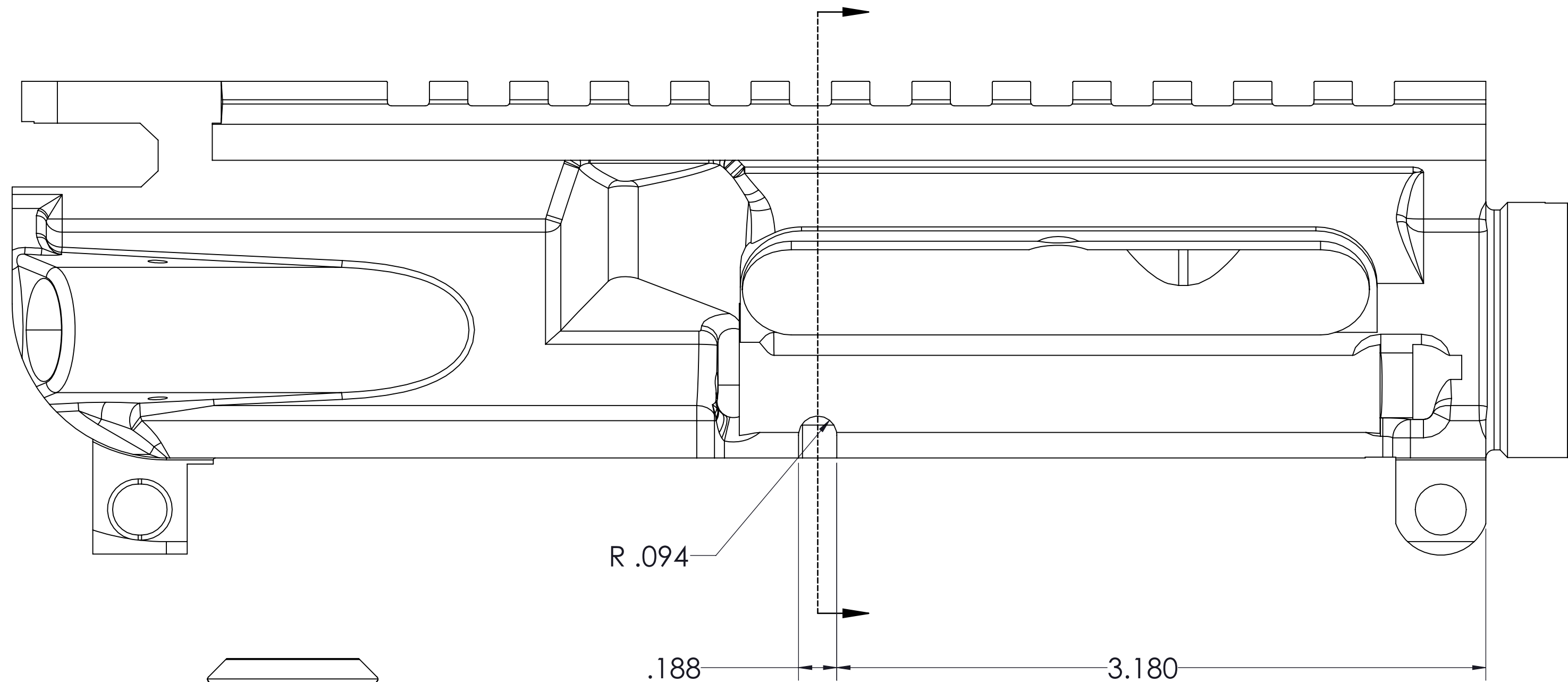
TITLE: HYBRID LOWER AMBI BOLT  
CATCH MODIFICATION

SIZE DWG. NO. REV  
C 2206006 A

DO NOT SCALE DRAWING SCALE: 2:1 WEIGHT: SHEET 1 OF 2

# MIL-SPEC FORGED UPPER

REV.	DESCRIPTION	DATE	APPROVED
A	PRELIMINARY RELEASE	06/07/2022	A. TROUT



STRAIGHT CUT

UNLESS OTHERWISE SPECIFIED  
DIMENSIONS ARE IN INCHES

TOLERANCES:  
ANGULAR:  $\pm 1^\circ$   
TWO PLACE DECIMAL  $\pm .01$   
THREE PLACE DECIMAL  $\pm .005$

PROPRIETARY & CONFIDENTIAL  
THE INFORMATION CONTAINED IN  
THIS DRAWING IS THE SOLE  
PROPERTY OF FOXTROT MIKE  
PRODUCTS. ANY REPRODUCTION IN  
PART OR AS A WHOLE WITHOUT THE  
WRITTEN PERMISSION OF FOXTROT  
MIKE PRODUCTS IS PROHIBITED.



FOXTROT MIKE PRODUCTS  
9700 WEST BETHEL COURT  
BOISE, ID 83709

TITLE: HYBRID LOWER AMBI BOLT  
CATCH MODIFICATION

SIZE DWG. NO. 2206006

REV A

DO NOT SCALE DRAWING SCALE: 2:1 WEIGHT: SHEET 2 OF 2